

Foam tape application

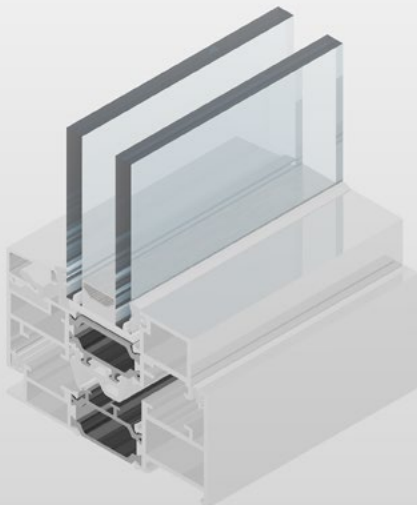
Low cost solution to improve U-values without a change to your system design or assembly routine

Benefits:

- Higher system thermal performance
- Multiple shapes available to fit your specifications
- Shipped as one pre-made unit
- No changes to assembly or fabrication
- No additional equipment
- Excellent weathering characteristics

Performance example:

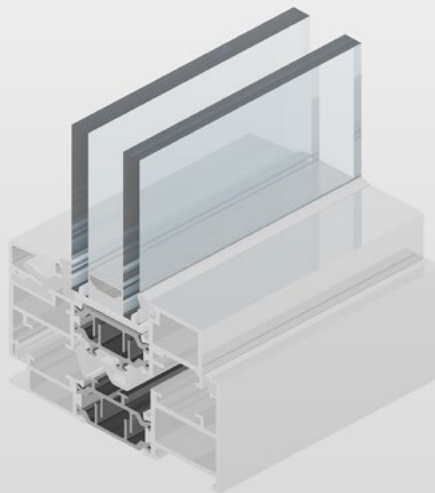
Good



Profile: 949200 34mm offset

U-factor: .36 btu/°F.hr.ft²

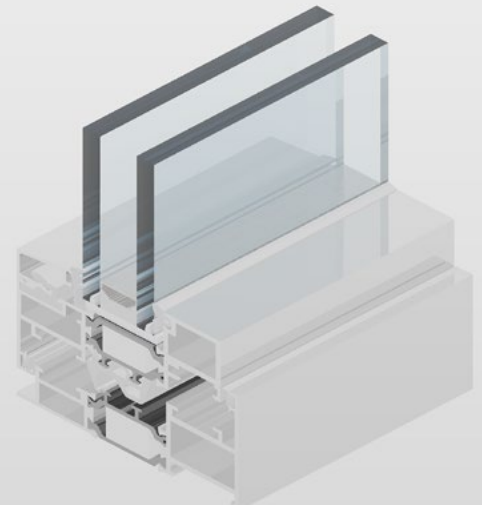
Better



Profile: 986200 34mm with legs

U-factor: .34 btu/°F.hr.ft²

Best

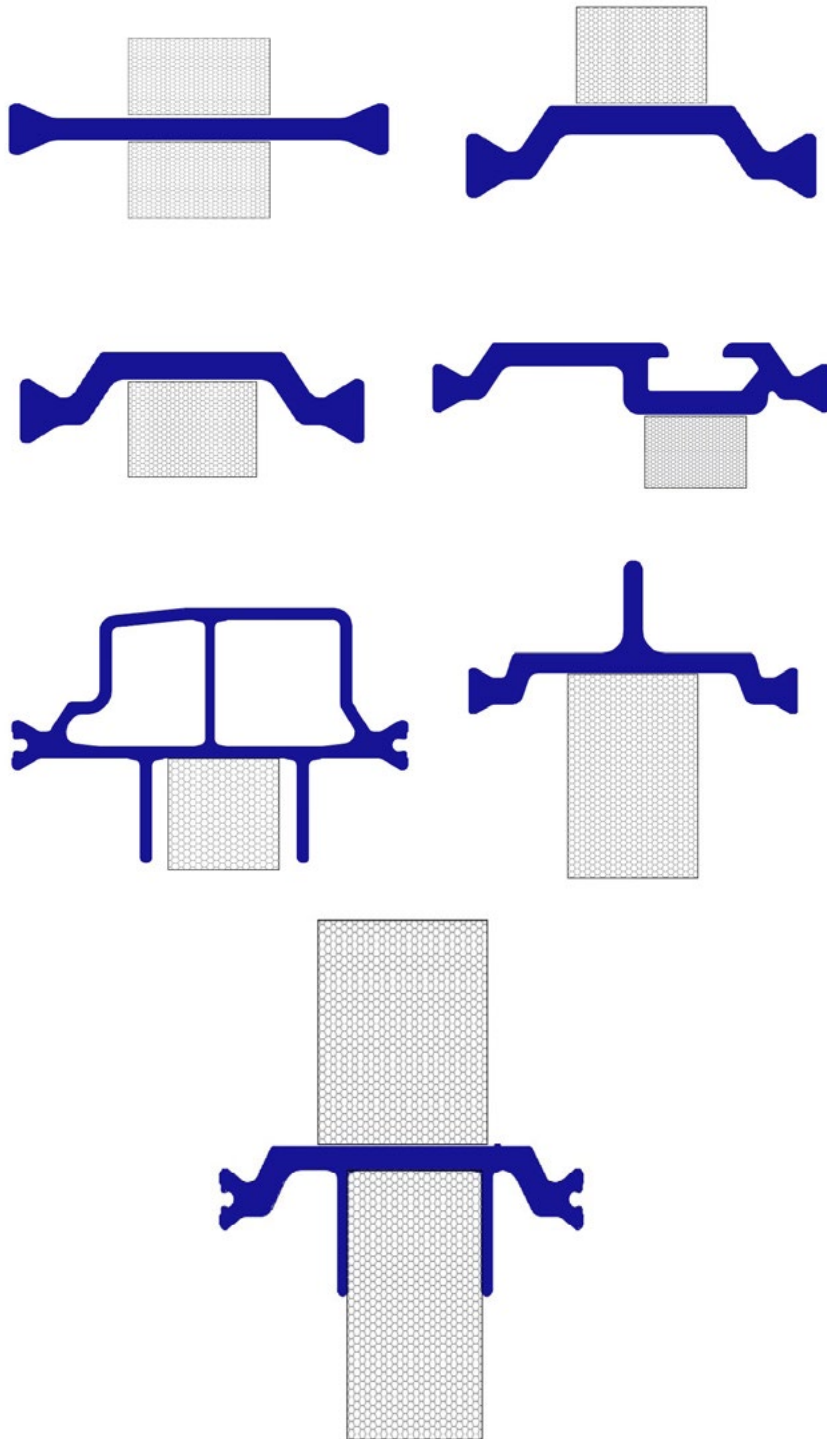


Profile: 949200 34mm offset with foam

U-factor: .33 btu/°F.hr.ft²

Performance listed is an example using Therm 6. Performance is dependent upon the system design and application.

Application examples



Thickness/ Height	Minimum width
----------------------	------------------

.125"	3/8
-------	-----

.188"	3/8
-------	-----

.250"	3/8
-------	-----

.375"	3/8
-------	-----

.500"	3/8
-------	-----

.625"	3/8
-------	-----

.750"	3/8
-------	-----

Dimensions of foam assembly

A	Height of foam
---	----------------

B	Width of foam
---	---------------

