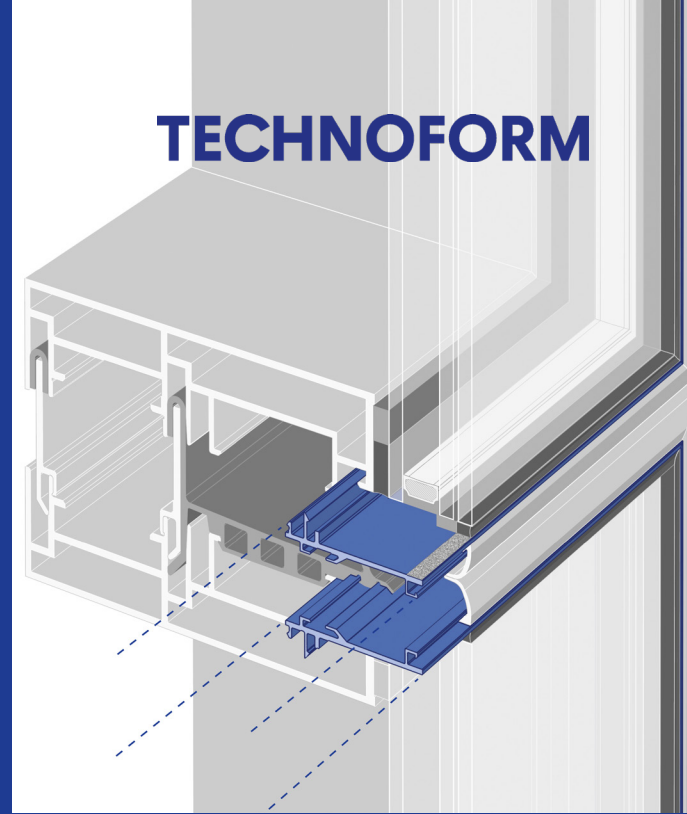


New solution Adhesion Prime

The bonding process

Bonding components to aluminum windows with thermal breaks is one of the most challenging processes for our customers. At Technoform we are aware of it, that is why we are constantly seeking improvements to make the application of silicones and sealant products on our polyamides easier.



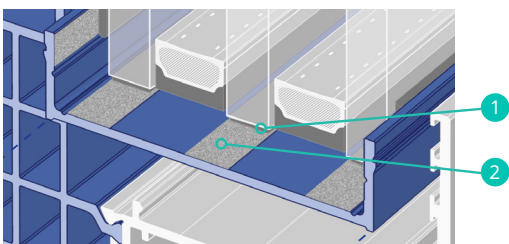
Our solution

Technoform's Adhesion Prime improves the adhesion on the polyamide surface, achieving an excellent bonding between adhesive and substrate.

Adhesion Prime product consists of a dispersion of particles of aluminum powder and its oxides on the polyamide surface. All of it maintaining the same thermal conductivity as always.

In conclusion, Adhesion Prime allows the application of silicones and sealants on the polyamide surface with no need to use chemical primers or add more steps in the process, other than the ones recommended by the sealant producer. It is the customer's responsibility to ensure the functionality of the entire set.

Application in minimalists windows



- 1 Bonding sealant
- 2 Adhesion Prime

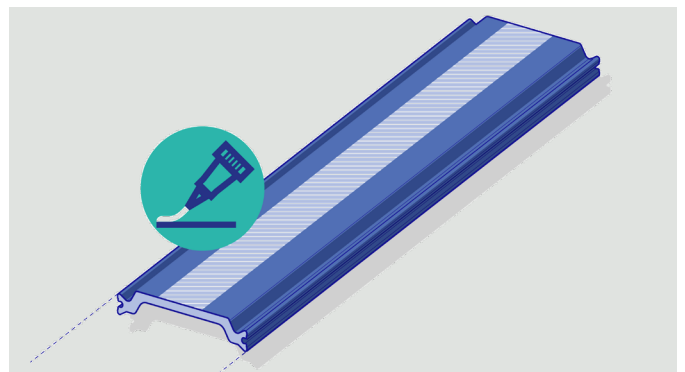
Test results

As the topic of adhesion, especially structural adhesion, is connected to many safety aspects, the long-term aging behavior of Adhesion Prime needed to be analyzed.

In that regard, Technoform initiated long term aging tests with polyamide strips with Adhesion Prime and two Dow Chemical silicones (one structural and one weatherproof silicones).

Technoform has conducted two tests (each one took approximately one year of artificial aging), considering UV, temperature cycling and seaside resistance of the solution.

The results of these trials were successful, as all samples were withstanding the long-term aging and showing cohesive failure in all samples.



Insulation solutions for windows, doors, and facades

